

### Quality

- ISO 9001 Certified Company
- Company and Product Certified and Qualified CRCC Petrobras

### Main Features

- Function: On/Off
- Construction: MSS-SP 81
- Type: Wafer and Total LUG
- Size: 2" (50mm) to 24" (600mm)
- Flow: Bidirectional
- 100% watertight
- Interchangeable Seats
- Self lubrication system
- Protection screen (NR12)
- High performance with full and coated passage

### General Application

- Abrasive processes/liquids, ore slurry, solids in general, slurry and similar

### Maximum pressure (Temperature between 0°C to 30°C)

DN	Pol.	2"	3"	4"	6"	8"	10"	12"	14"	16"	18"	20"	24"
	mm	50	80	100	150	200	250	300	350	400	450	500	600
CWP(bar)		10	10	10	10	10	10	10	10	10	6	6	6

### Maximum Temperature

EPDM (°C)	VITON (°C)	BORRACHA NATURAL (°C)
110	200	72

### Internal Testing and Inspection

**Hydrostatic:** ISO 5208 / EN 12266 / MSS SP 151

**Performance:** 1 (one) Complete Cycle (Open and Close)

**Painting:** NBR 14847

**Visual:** NBR 15185

**Fixation:** NBR 7675 / EN 1092 / ANSI B16.5 / ANSI B16.47

**Dimensional:** Approved Drawing / EN 558 / MSS SP81 / MSS SP135

### Flange / Connection

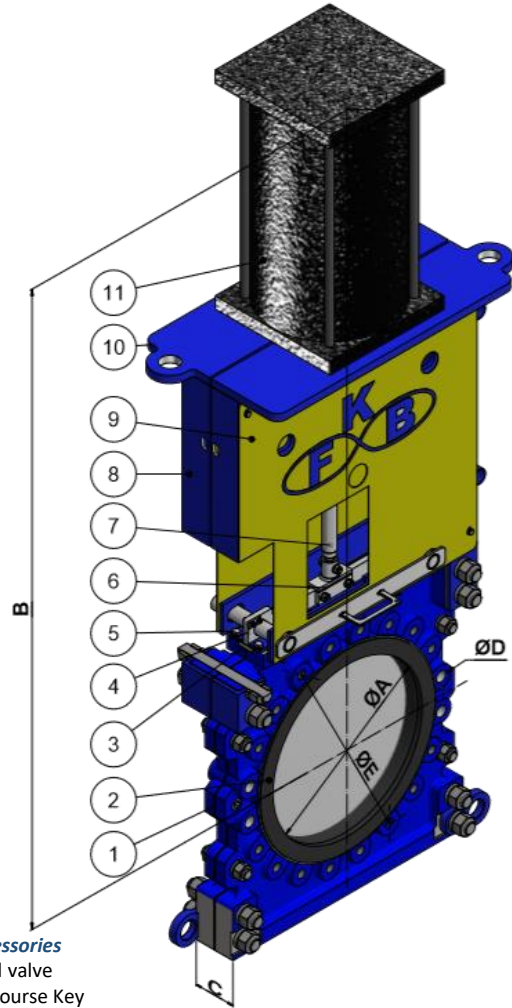
- ANSI B16.5 - 150lbs
- DIN PN10 / NBR 7675 PN10
- Others on request

### Types of Drives

- Steering wheel manual
- Gear Reducer
- Pneumatic Actuator
- Hydraulic Actuator
- Electric Actuator

### Optional Accessories

- Solenoid valve
- End of Course Key
- lubrifil kit
- Others



### Material Table

Pos.	Description	Material
1	Split Body	ASTM A536
2	Interchangeable Sleeves	Natural Rubber / EPDM / Viton / Chlorobutyl
3	Upper Seal	Synthetic Fiber with PTFE
4	Knife	AISI 316 (*)
5	Preme Gasket Screws	Carbon Steel
6	Fork / Cursor	Stainless steel / Brass
7	Stem	AISI 410
8	Support / Column	ASTM A36
9	External Rod Protection	Carbon Steel Plate
10	Table	ASTM A36
11	Activation	Manual or Automatic

(\*) other options on request

### Dimension Table

			DIN PN 10		ANSI B16.5 150 lbs		
	A	B (*)	C	ØD	ØE	ØD	ØE
Pol.	mm	mm	mm	Nº - M-1	mm	Nº - M-1	Polegada
2"	50	588	50	04 - M16	125	04 - ¾" UNC	4.¾"
3"	80	646	51	08 - M16	160	04 - ¾" UNC	6"
4"	100	716	51	08 - M16	180	08 - ¾" UNC	7.½"
6"	150	869	57	08 - M20	240	08 - ¾" UNC	9.½"
8"	200	1.002	70	08 - M20	295	08 - ¾" UNC	11.¾"
10"	250	1.131	70	12 - M20	350	12 - ¾" UNC	14.¼"
12"	300	1.258	76	12 - M20	400	12 - ¾" UNC	17"
14"	350	1.479	76	16 - M20	460	12 - 1" UNC	18.¾"
16"	400	1.650	89	16 - M24	515	16 - 1" UNC	21.¼"
18"	450	1.839	89	20 - M24	565	16 - 1.½" UNC	22.¾"
20"	500	1.988	114	20 - M24	620	20 - 1.½" UNC	25"
24"	600	2.535	114	20 - M27	725	20 - 1.¾" UNC	29.½"

### Grades:

(\*) Measure "B" on request for other types of drives;

1. Measurements subject to change without prior notice.