

Quality

- ISO 9001 Certified Company
- Company and Product Certified and Qualified CRC Petrobras
- ONIP Certified Company

Main Features

- Operation: On/Off (*)
- Construction: MSS-SP 81
- Type: Wafer and LUG
- Size: 3" (80mm)
- Flow: Bidirectional with preferred side
- 100% watertight
- Rings lining the passage protecting the body
- High performance with full and coated passage
- Valve specially developed for application in tanks

General Application

- Processes with liquids in general, masses, pastes and the like

Maximum pressure (Temperature between 0°C to 30°C)

| DN | Pol. | 3" |
|-----------|------|----|
| | mm | 80 |
| CWP (bar) | | 10 |

Temperatura máxima

| EPDM (°C) | METAL (°C) | PTFE (°C) | VITON (°C) |
|------------|------------------|------------|------------|
| -10 to 110 | High temperature | -20 to 180 | -30 to 200 |

Internal Testing and Inspection

Hydrostatic: ISO 5208 / EN 12266 / MSS SP 151

Performance: 1 (one) Complete Cycle (Open and Close)

Painting: NBR 14847

Visual: NBR 15185

Fixation: NBR 7675 / EN 1092 / ANSI B16.5 / ANSI B16.47

Dimensional: Approved Drawing / EN 558 / MSS SP81

Flange / Connection

Piping Side

- ANSI B16.5 – 150lbs
- DIN PN10 / NBR 7675
- Others on request

Lado Tanque

- Standard FKB / Client

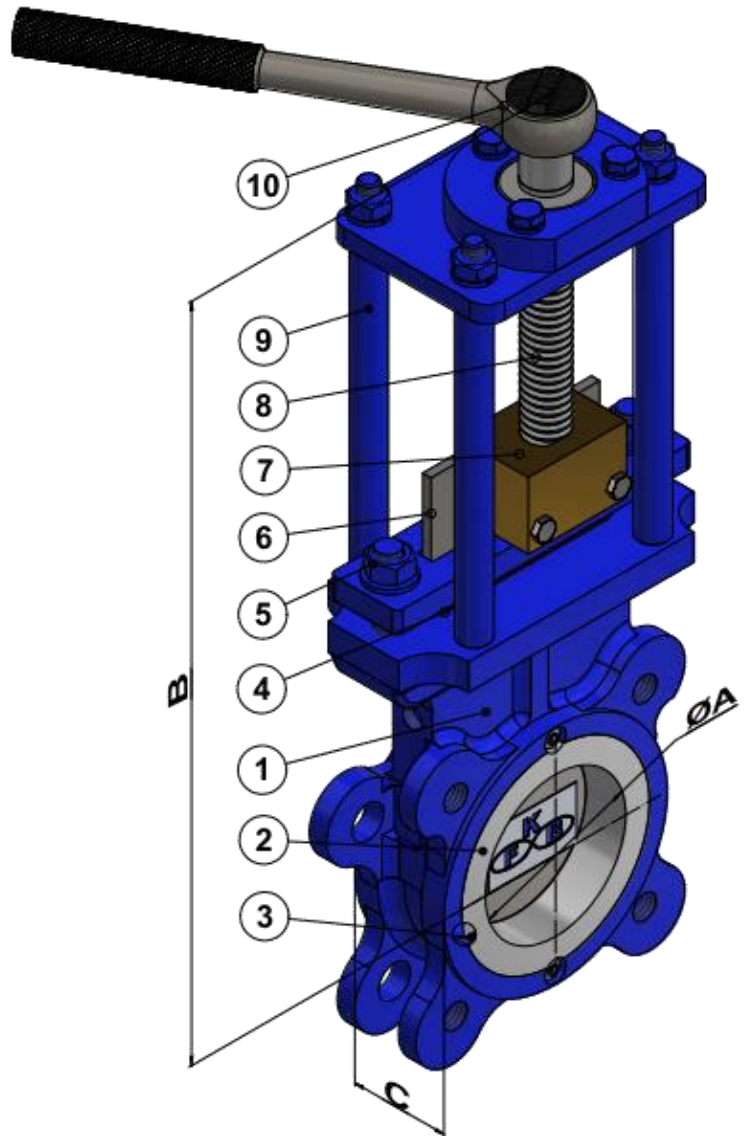
Types of Drives

- Ratchet Wrench Manual

Material Table

| Pos. | Description | Material |
|------|----------------------|---|
| 1 | Monoblock Body | ASTM A 351 CF8 / ASTM A 351 CF8M / ASTM A216 WCB / ASTM A 536 |
| 2 | Coating Ring | ASTM A 351 CF8 / ASTM A 351 CF8M / ASTM A216 WCB |
| 3 | Passage Sealing | PTFE / VITON / EPDM / UHMW / Metal (*) |
| 4 | Superior Sealing | Synthetic Fiber with PTFE |
| 5 | Packing Preme Screws | Carbon Steel / Stainless Steel |
| 6 | Gate | AISI 304 / AISI 316 |
| 7 | Stem Nut | Brass |
| 8 | Stem | AISI 410 |
| 9 | Yoke | SAE 1020 |
| 10 | Support | ASTM A36 |
| 11 | Drive | Manual through ratched |

(*) other options on request



Dimensions Table

| | | | | DIN PN 10 | | ANSI B16.5 150 lbs | |
|-----|----|-------|-------|-----------|-----|--------------------|--------|
| A | | B | C | ØD | ØE | ØD | ØE |
| in. | mm | mm | mm | Nº - M-1 | mm | Nº - M-1 | Inches |
| 3" | 80 | 720,0 | 50,80 | 08 - M16 | 160 | 04 - 5/8" UNC | 6" |

Notes: Measures subject to changes without prior notice.

